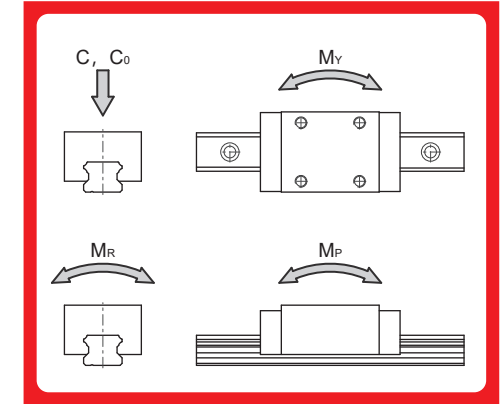
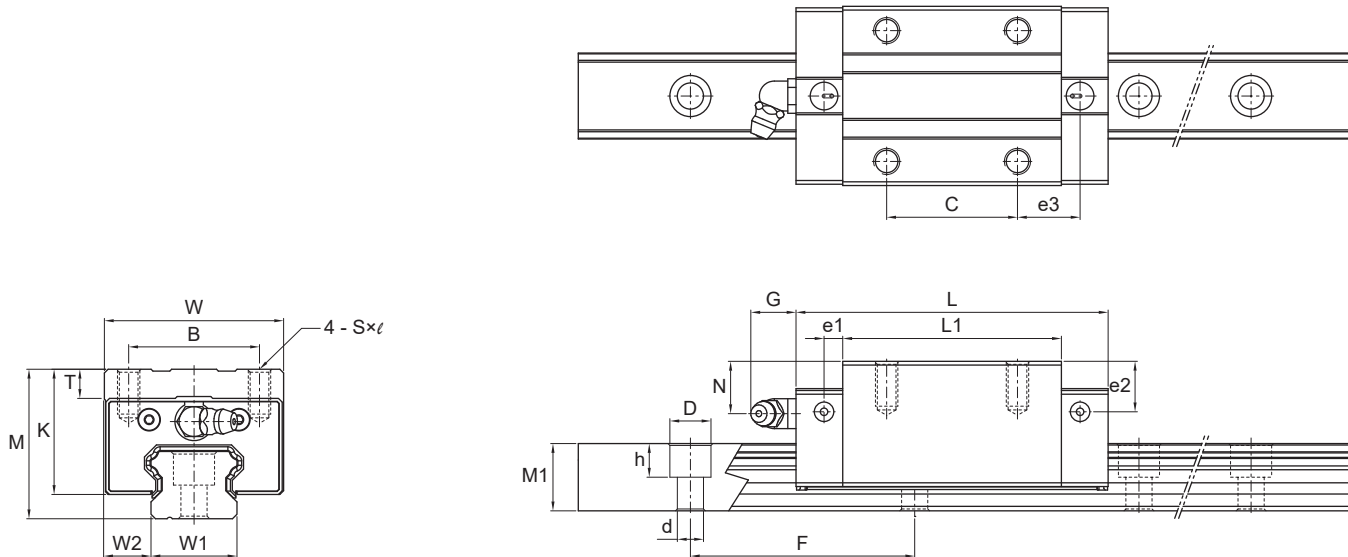


## Dimensions of LMG...H / LH



Unit (mm)

Model No.	External dimension			Carriage dimension											Rail dimension				Basic load rating		Static moment rating				Weight				
	Height	Width	Length	B	C	Mounting hole S×ℓ	L1	T	K	N	e1	e2	e3	G	Grease nipple	Width	Height	Pitch	Mounting bolt hole	Dynamic C KN	Static C0 KN	Mp (KN·m)		My (KN·m)		Mr KN·m	Carriage Kg	Rail Kg/m	
	M	W	L			S×ℓ																		Single Carriage	Double Carriages				Single Carriage
LMG15 H	28	34	58.2	26	26	M4×7	39.5	6	23.5	9	3.3	8	10.6	5	M4×0.7	15	9.5	13	60	7.5×5.3×4.5*	11.8	18.9	0.13	0.76	0.13	0.76	0.15	0.19	1.29
LMG15 LH	28	34	72.6	26	34	M4×7	53.6	6	23.5	9	3.3	8	13.7	5	M4×0.7	15	9.5	13	60	7.5×5.3×4.5*	14.4	25.2	0.23	1.29	0.23	1.29	0.2	0.27	1.29
LMG20 H	30	44	75	32	36	M5×8	52.5	6	25.4	8.5	4.5	7	12.8	12	M6×0.75	20	12	15	60	9.5×8.5×6	20	32	0.30	1.68	0.30	1.68	0.33	0.33	1.92
LMG20 LH	30	44	89.4	32	50	M5×8	66.9	6	25.4	8.5	4.5	7	13	12	M6×0.75	20	12	15	60	9.5×8.5×6	23.2	39.3	0.44	2.36	0.44	2.36	0.41	0.41	1.92
LMG25 H	40	48	83.6	35	35	M6×12	58.6	8	33.5	14	5	13.5	16.8	12	M6×0.75	23	12.5	18	60	11×9×7	27.9	42.5	0.44	2.47	0.44	2.47	0.51	0.55	2.67
LMG25 LH	40	48	102.6	35	50	M6×12	77.6	8	33.5	14	5	13.5	18.8	12	M6×0.75	23	12.5	18	60	11×9×7	34.2	56.6	0.76	3.99	0.76	3.99	0.67	0.72	2.67
LMG30 H	45	60	98	40	40	M8×12	69.8	8	37	11	6	11	20	12	M6×0.75	28	16	23	80	14×12×9*	38.8	57.8	0.70	3.88	0.70	3.88	0.83	0.87	4.48
LMG30 LH	45	60	120.2	40	60	M8×12	92	8	37	11	6	11	21.1	12	M6×0.75	28	16	23	80	14×12×9*	47.5	77.1	1.21	6.28	1.21	6.28	1.11	1.13	4.48
LMG35 H	55	70	111.2	50	50	M8×14	80.2	11	45.5	15	7.5	15	21.6	12	M6×0.75	34	18	26	80	14×12×9	51.7	75.5	1.04	5.72	1.04	5.72	1.31	1.44	6.24
LMG35 LH	55	70	136.6	50	72	M8×14	105.6	11	45.5	15	7.5	15	23.3	12	M6×0.75	34	18	26	80	14×12×9	63.2	100.7	1.81	9.29	1.81	9.29	1.75	1.88	6.24
LMG45 H	70	86	137.8	60	60	M10×20	102.2	16	59	20	8.5	20	27.6	13.5	PT 1/8	45	20.5	32	105	20×17×14	83.2	118.0	2.03	10.89	2.03	10.89	2.71	2.85	10.25
LMG45 LH	70	86	169.5	60	80	M10×20	133.9	16	59	20	8.5	20	33.5	13.5	PT 1/8	45	20.5	32	105	20×17×14	101.7	157.3	3.54	17.76	3.54	17.76	3.62	3.70	10.25

\*1.Rail mounting hoes for M3 bolt (6×4.5×3.5) and M4 bolt (7.5×5.3×4.5) are available for LMG15 rail. The codes of rail type are LMG15R for M4 bolt, and LMG15U for M3 bolt.

2.Rail mounting hoes for M6 bolt (11×9×7) and M8 bolt (14×12×9) are available for LMG30 rail. The codes of rail type are LMG30R for M8 bolt, and LMG30U for M6 bolt.